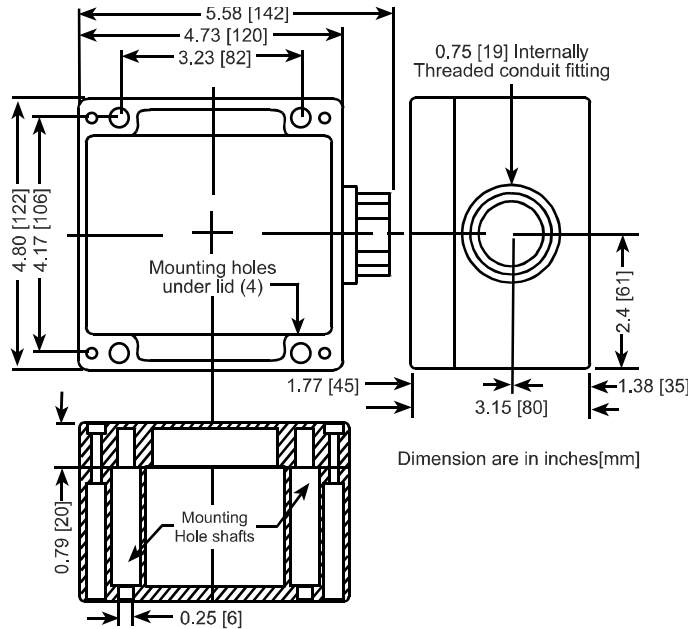


# IT-RSS



## GENERAL SPECIFICATIONS

**Description:** Parallel configured, hard wire connected, 40 kA per phase, 80 kA total peak surge current capacity, Transient Voltage Surge Suppression Device

**Application:** Office and residential service entrance locations feeding various types of loads

**Warranty:** Ten-Year Free Replacement

**Unit Listings:** Recognized components under UL1449 SECOND EDITION & cUL

**Manufacturer Qualifications:** ISO 9001:1994 Quality System Certification BSI FM 30833

## MECHANICAL SPECIFICATIONS

**Enclosure:** Aluminum, NEMA 4 (IP66) weatherproof enclosure (meets and exceeds NEMA 12, 13 and 3R ratings)

**Connection:** #10 stranded wire

**Weight:** ≈ 5 lbs (2.2 kg)

**Operating Temperature:** -40° F (-40° C) to +140° F (+60° C)

## ELECTRICAL/PERFORMANCE SPECIFICATIONS

**Circuit Design:** Bi-directional, internally fused, parallel configured Threshold Suppression Network (TSN)

**Input Power Frequency:** 50 - 420 Hz (60 Hz nominal)

**Response Time:** ≤ 1 nanosecond

**EMI/RFI Attenuation:** Up to 38 dB normal mode, up to 41 dB common mode

**Protection Modes:** All Mode: L-L (normal mode), L-G (common mode)

**Circuit Diagnostics:** Super-bright LED indicator, normally on

**Short Circuit Current Rating:** 200 kAIC using 30 Amp Class R fuses (not provided)

Model	System Config	Nominal System Voltage	ANSI/IEEE C62.41-1991 Measured Limiting Voltage*		UL SVR	
			B3/C1 Impulse 6 kV, 3 kA 90° Phase Angle		UL 1449-2 Suppressed Voltage Ratings	
			L-G	L-L	L-G	L-L
IT-RSS	Split φ 2w+grnd	100/200, 110/220, 120/240, 127/254	550	950	400	800

\*Test environment: All modes tested dynamic positive polarity. Time base = 1 ms. All voltages are peak (±10%), time base = 1 ms./div., voltages are measured from zero crossing. All tests performed with 6" (152.4 mm) lead length, simulating actual installation.

Flush Mount Plate available: ZPLATE-10