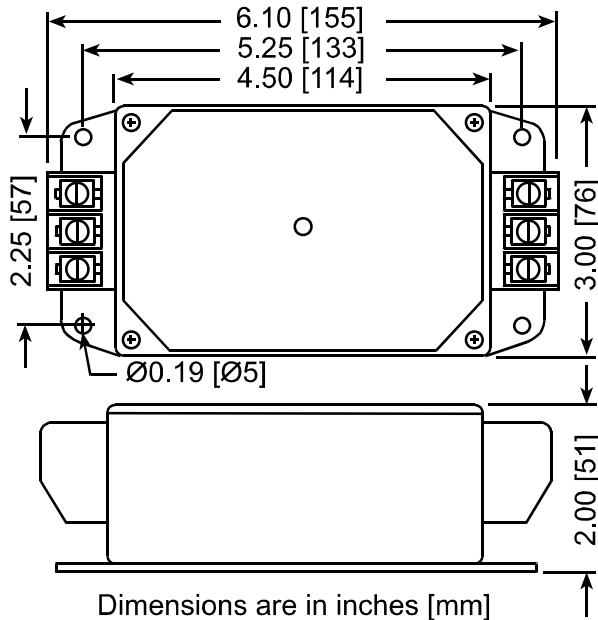




**COMPONENT
LEVEL FUSING**



GENERAL SPECIFICATIONS

Description: Series or parallel wired, terminal strip connected, Threshold Suppression Network (TSN) transient suppression device

Application: Dedicated AC and DC power circuits operating at 5-275 VAC/5-300 VDC, ≤30 Amps, feeding general purpose loads

Warranty: Ten-Year Free Replacement

Unit Listings: Recognized components under UL1449 SECOND EDITION & cUL, UL1283 filter, CSA

Manufacturer Qualifications: ISO 9001:1994 Quality System Certification BSI FM 30833

MECHANICAL SPECIFICATIONS

Enclosure: ABS Plastic UL94-5VA

Connection: Wire clamping box terminals

Weight: ≈ 1 lb (0.45 kg)

Operating Temperature: -40° F (-40° C) to +140° F (+60° C)

ELECTRICAL/PERFORMANCE SPECIFICATIONS

Maximum Continuous Operating Current: 30 Amps

Input Power Frequency: 0-400 Hz (AC)

Response Time: ≤ 1 nanosecond

Protection Modes: All mode: L-N/Pos-Neg (normal mode), L-G/Pos-Gnd (common mode)

Circuit Diagnostics: LED indicator, normally on

Short Circuit Current Rating: 200 kAIC with 30 Amp Class R fuse

Maximum EMI/RFI Attenuation – Mil-Std-220

1 kHz	10 kHz	100 kHz	1 MHz	10 MHz	Maximum Attenuation Frequency
0 dB	0 dB	5 dB	25 dB	14 dB	53 dB @ 2.8 MHz

Available Models	Peak Surge Current	Nominal System Voltage	ANSI/IEEE C62.41-1991 Measured Limiting Voltage*				UL SVR UL 1449-2 Suppressed Voltage Ratings
			A1 Ring Wave 2 kV, 67 A 180° Phs Angle	A1 Ring Wave 2 kV, 67 A 90° Phs Angle	A3 Ring Wave 6 kV, 200 A 90° Phs Angle	B3/C1 Impulse Wave 6 kV, 3 kA 90° Phs Angle	
			L-N L-G, N-G	L-N L-G, N-G	L-N L-G, N-G	L-N L-G, N-G	
HT-24-30A+	30 kA	5-30 VAC 5-38 VDC	100 100, 110	100 100, 110	150 150, 180	150 160, 170	**N/A
HT-48-30A+	30 kA	24-50 VAC 24-65VDC	140 130, 140	140 130, 140	180 170, 160	200 190, 170	**N/A
HT-120-30A	80 kA	48-150 VAC 48-200 VDC	330 330, 350	350 350, 350	380 360, 380	400 430, 420	400 400, 400
HT-250-30A+	80 kA	120-275 VAC 120-300 VDC	650 650, 630	630 610, 600	770 700, 680	790 780, 770	800 800, 800

*Test environment: Positive polarity. HT-24-30A & HT-48-30A tested static, others tested with AC power applied. All units tested at terminals, time base = 1 ms. All measurements referenced from zero volts per NEMA LS-1. +Static test only, phase angle does not apply

**Underwriters Laboratories (UL®) does not list TVSS products designed to operate below 120 Vrms.